

Quick Start Guide

Smart Cabinet

We would like to thank all users for trusting BCN3D, for helping us to reach our dreams and to create a better product every day.



Quick Start Guide in your own language

User Guide



For more detailed information about the processes, read the User Manual.

Unboxing video



Unboxing
Watch our video to see how to correctly unbox the Smart Cabinet.

Set up video



Full system setup
Watch our video to see how to correctly do the full system setup.

Unboxing

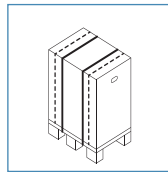


Retain packaging and pallet for warranty service.

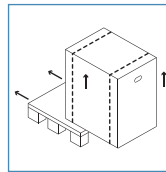


The device is heavy and it is recommended that this step is performed by two people.

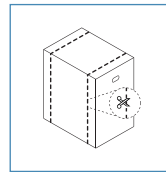
The initial indications of the unboxing are indicated on the box itself, with the following drawings:



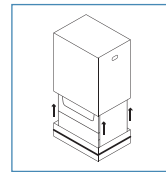
Remove the red pallet



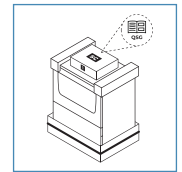
Remove the pallet



Cut the white box straps



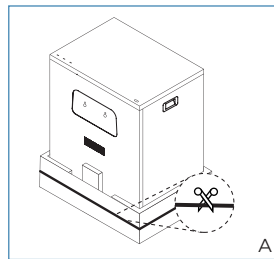
Lift the upper box



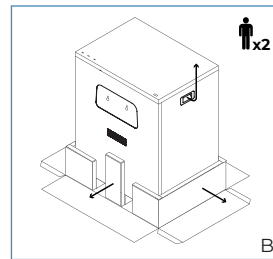
Open the plastic bag and read the documentation

Once the upper box is removed, follow these instructions:

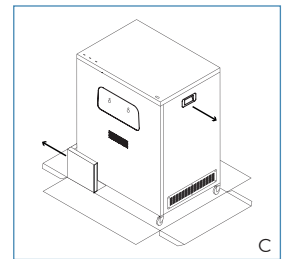
1. Remove the top protective foams.
2. Cut the white strap around the bottom box (A) and pull the plastic bag all the way down.
3. Lift the unit using the side handle while another person removes this side's bottom foam and the center bottom foams (B). Gently release the device to rest on the ground.
4. Carefully pull the unit using the handle. Retire the bottom foam from the other side (C).
5. Keep pulling the unit to its final position.



A



B



C

Full system setup

1. Unload any material loaded on the printer and turn it off.
2. Unplug the power cable and keep it to use it later.
3. Carefully place the BCN3D printer on top of the Smart Cabinet seated in the metal corners.



The printer is heavy and therefore this step needs to be performed by two people. Make sure that the Smart Cabinet where the printer is being installed, is close enough.

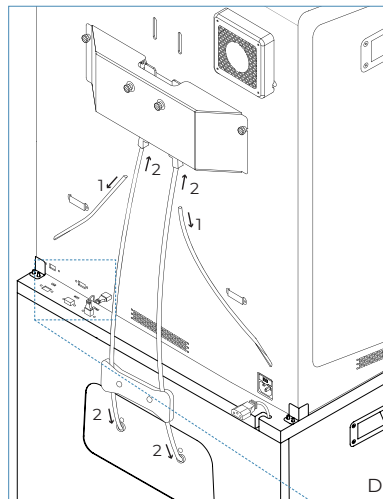
4. On the back, take out the teflon tubes from the FRS quick connector (D.1).
5. Take the correct set of extension teflon tubes from the upper foam.



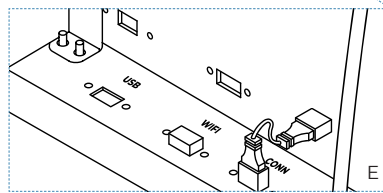
There are two sets, one suitable for Epsilon W50 and another for Epsilon W27/Sigma D25. Use the ones that adapt to your printer.

6. Using the plastic bridge as reference, connect the short side of the extension teflon tubes to the external outlets on the Smart Cabinet and the long side to the FRS inlet connector (D.2).
7. Secure the teflon tubes with the coupling clips on the four ends.

i Remember that these steps would cancel the possibility to insert the filament from inside the printer. From now on, the printer is fed with filament coming from the Smart Cabinet.



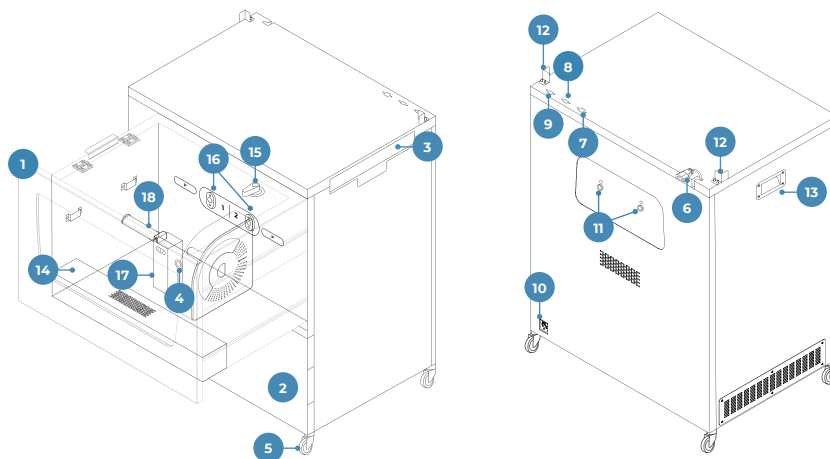
8. If installed on the printer, remove the USB Wifi Dongle and connect it to the "WiFi" port (E).
9. Connect the USB Link cable: the USB Type B end of the cable is connected to the "CONN" port while the USB Type A end of the cable is connected to the printer (E).
10. Plug the printer with the power extension cable.
11. Use the power cable that comes with the printer to plug in the Smart Cabinet. The other end of the cable is connected to a power outlet.



i At this point, the lights of the Smart Cabinet turn on. The Smart Cabinet stays always ON when power is supplied, allowing the dehumidifier to continuously control humidity.

12. Place the unit in its final position and use the brakes to hold it in place.
13. Turn on the printer.

Diagram



- | | |
|---|---|
| <ol style="list-style-type: none"> 1. Dehumidifier chamber 2. Storage area 3. Maintenance tray 4. Push to open latch 5. Wheels with brakes 6. Power extension cable 7. USB Link connector 8. WiFi Dongle USB port 9. Free USB port 10. Power socket | <ol style="list-style-type: none"> 11. External outlets (for extruder 1 and 2) 12. Metal corners 13. Side handle 14. Dehumidifier unit 15. Dehumidifier chamber lid with lock handles 16. Internal outlets (for extruder 1 and 2) 17. Central pillar 18. Spool holder for Smart Cabinet |
|---|---|

What is in the box?

- BCN3D Smart Cabinet
- 2 x BCN3D Spool Cartridge
- 1 x USB Link cable
- 2 x Extension teflon tube for Epsilon W50
- 2 x Extension teflon tube for Epsilon W27 / Sigma D25.
- 4 x Coupling clip
- 6 x Spool holder for Smart Cabinet
- Quick start guide and warranty

Using the system



Using the system
Watch our video to see how to Load filament from the Smart Cabinet.



BCN3D Technical Assistance Services

If you do not find a solution to your problem in this manual, please contact the BCN3D Technologies support team through Contact Support.